

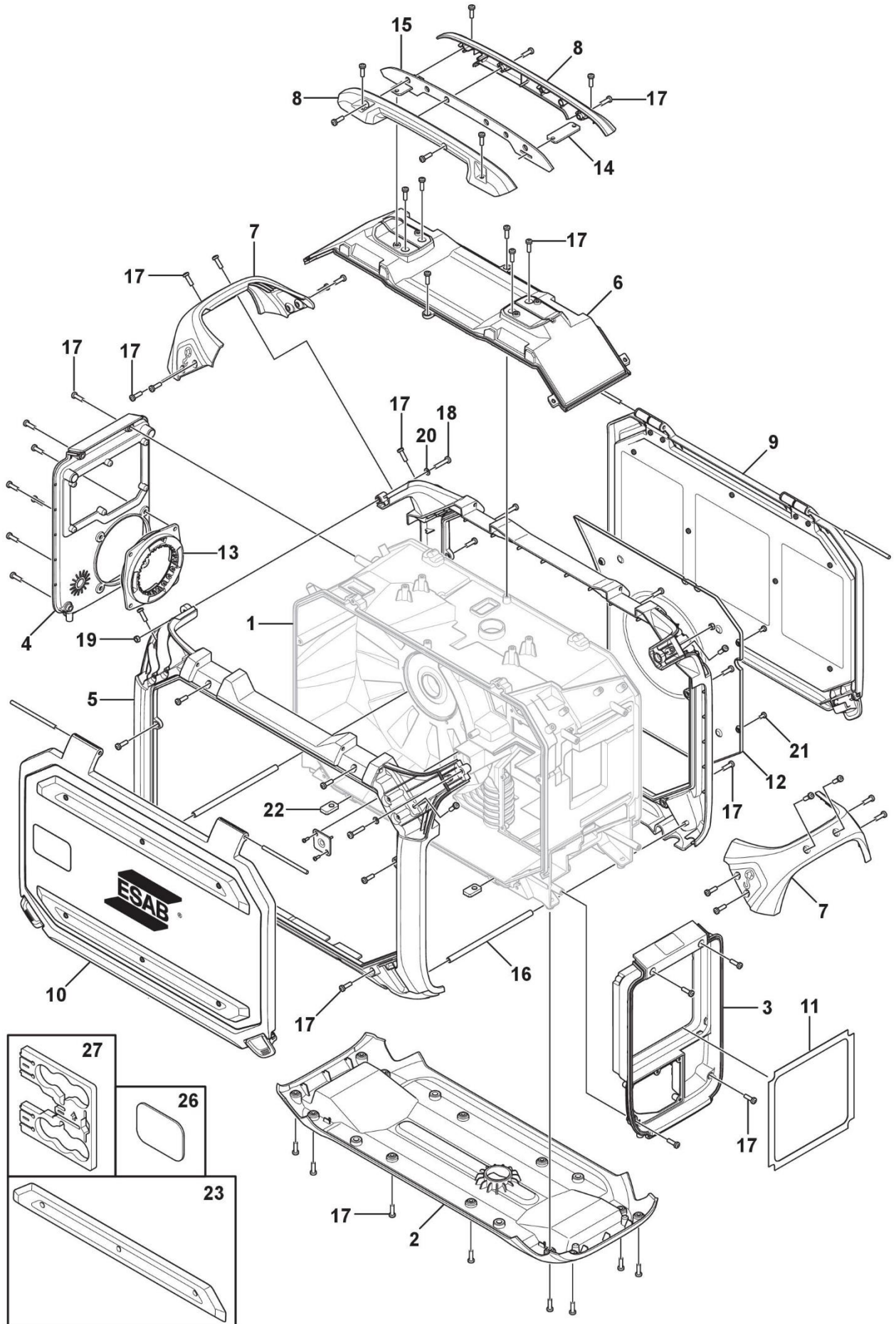
ESAB ROBUST FEED PRO



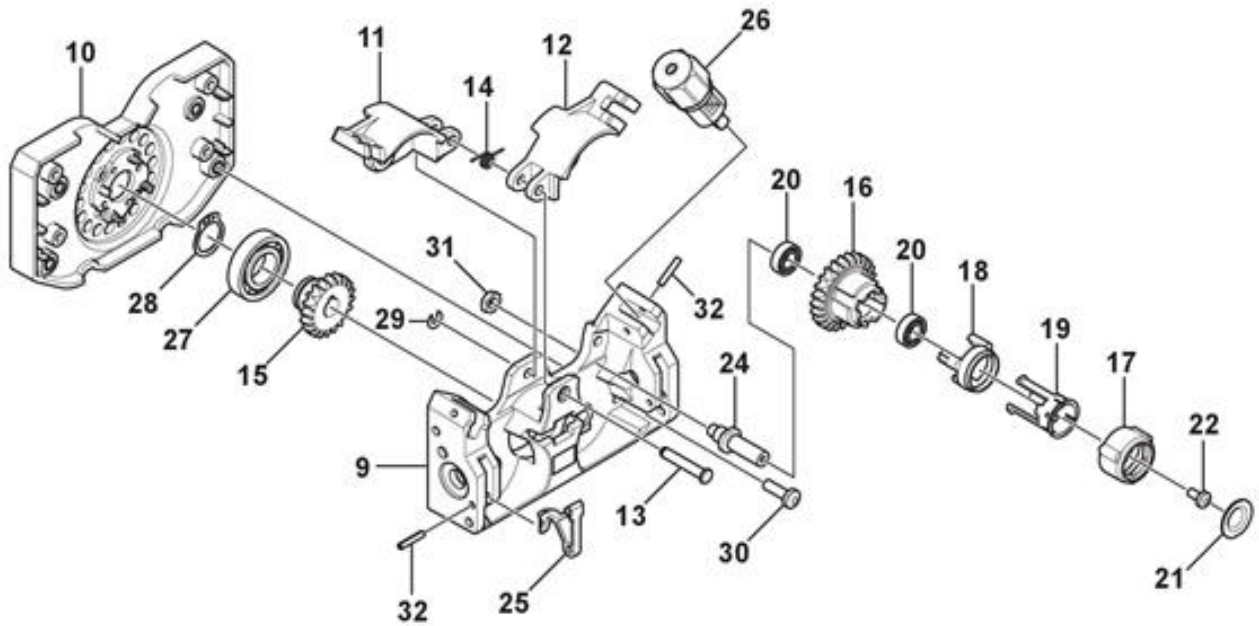
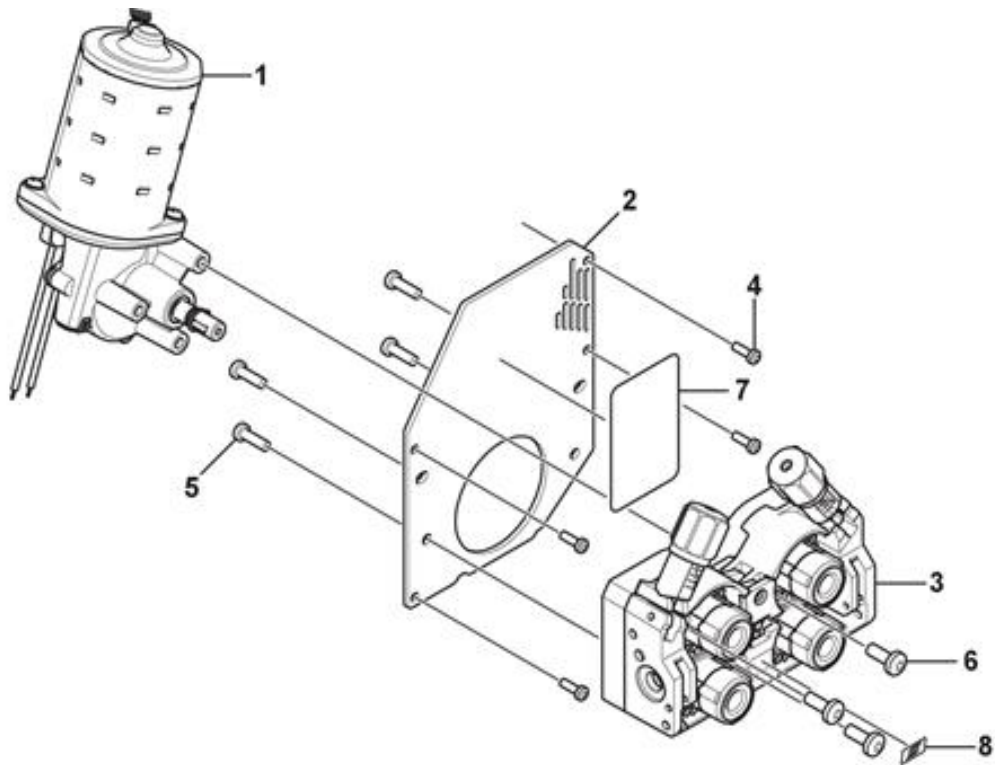
Manual de Piezas

CODIGOS VALIDOS EN PERÚ

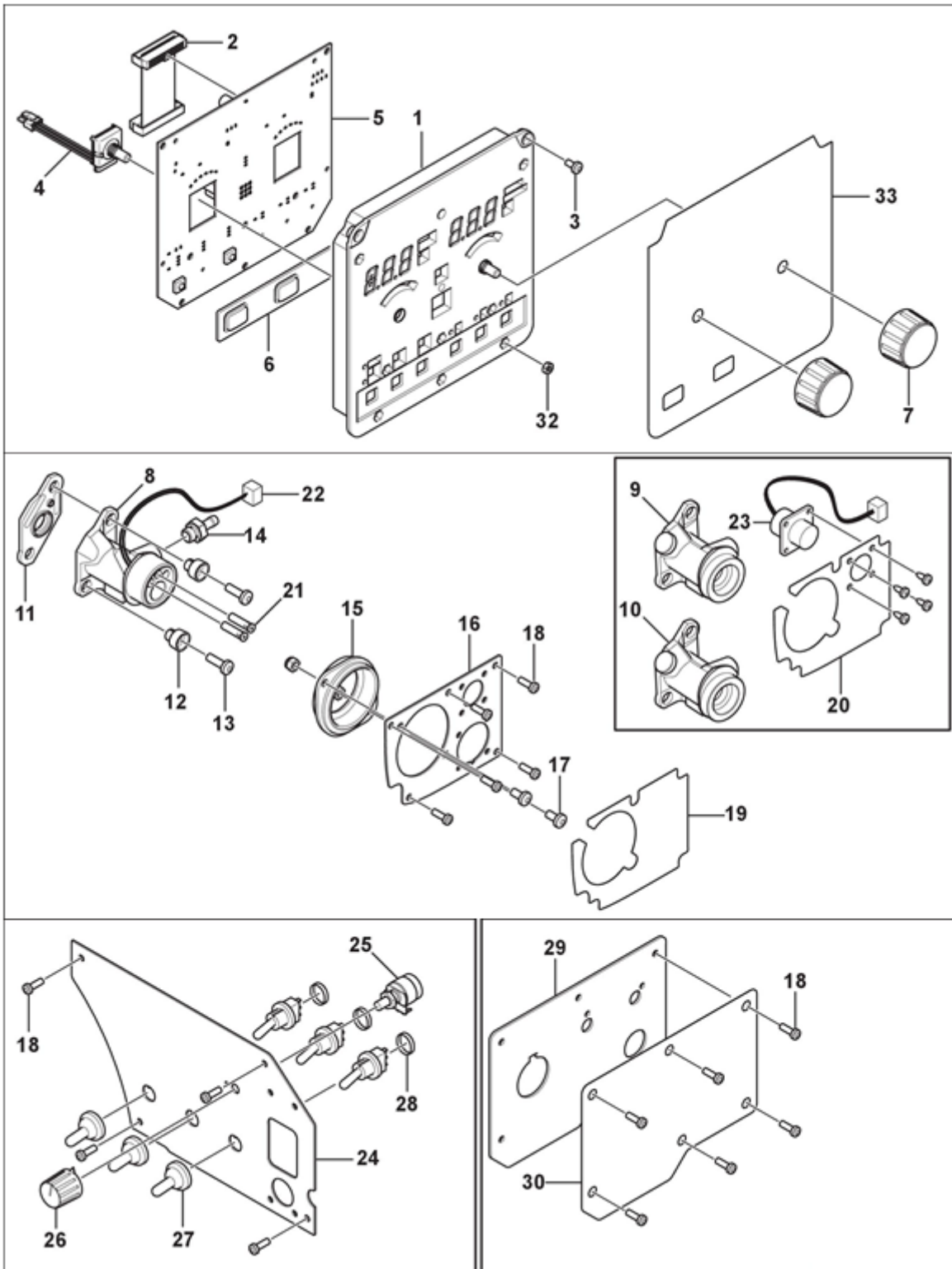
ESAB ROBUST FEED PRO			
ITEM	DESCRIPCION	NUMERO PARTE	CODIGO
1	INNER FRAME	-----	CONSULTAR
2	BOTTOM PANEL	445763001	CONSULTAR
3	FRONT PANEL	445764001	CONSULTAR
4	REAR PANEL	445765001	CONSULTAR
5	OUTER FRAME	445766001	CONSULTAR
6	TOP PANEL	445767001	CONSULTAR
7	HANDLE COVER	445768001	CONSULTAR
8	TOP HANDLE(VER ITEM 101)	-----	CONSULTAR
9	DOOR COMPLETE RIGHT	445780880	CONSULTAR
10	DOOR COMPLETE LEFT	445780881	CONSULTAR
11	GASKET USER INTERFACE	446035001	CONSULTAR
12	COVER PANEL	446005001	CONSULTAR
13	STRAIN RELIEFINNER PART	445810001	CONSULTAR
14	HANDLE BRACKET (VER ITEM 101)	-----	CONSULTAR
15	TOP HANDLE FRAME(VER ITEM 101)	-----	CONSULTAR
16	HOSE0.17 M,PVC,9 MMOUTERDIAMETER, 5 MM INNERDIAMETER	-----	CONSULTAR
17	SCREWREMF5×16	194153330	CONSULTAR
18	SCREWMRTM5×25	-----	CONSULTAR
19	NUT6KSTEEL8.8M5	-----	CONSULTAR
20	PLAINWASHER5-200HV-A2K	-----	CONSULTAR
21	SCREWMRTM4×8BLACK	194277291	CONSULTAR
22	RECTANGULARNUT	446011001	CONSULTAR
23	BUMPER	445782001	CONSULTAR
24	SIDEDECALRIGHT	445786001	CONSULTAR
25	SIDEDECALLEFT	445786002	CONSULTAR
26	SPOOLWINDOW	445832001	CONSULTAR
27	RF300S+WPARTSSTORAGEFOAM	446034001	CONSULTAR
101	TOP HANDLE AND FRAME KIT(INCLUYE ITEMS 8 (2 PZS), 14 (2 PZS),15AND17 (8 PZS))	464667885	CONSULTAR



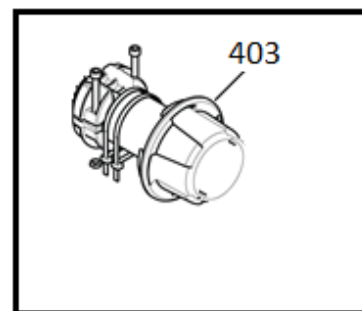
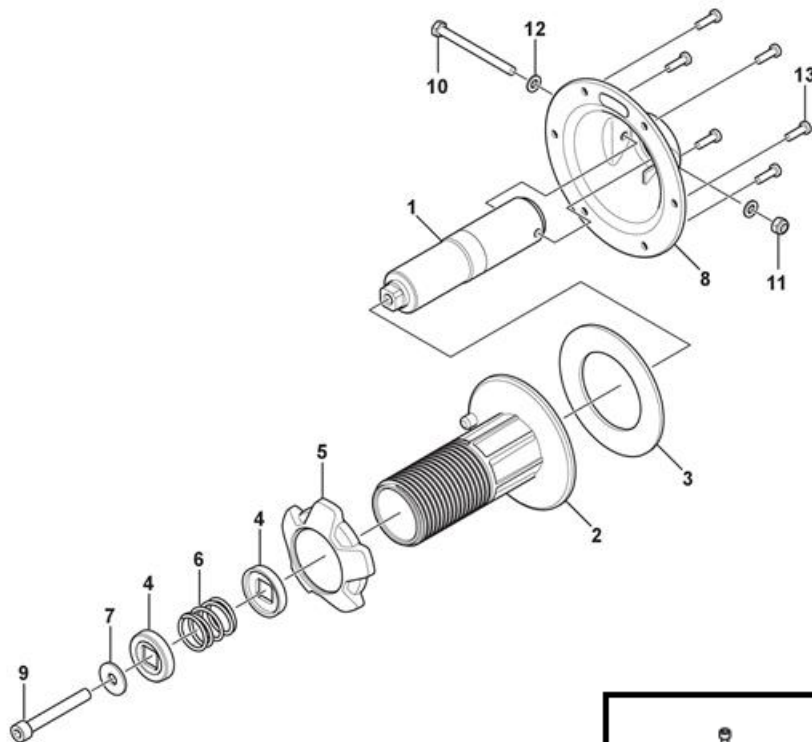
ITEM	DESCRIPCION	NUMERO PARTE	CODIGO
1	ESAB DRIVE UNIT FEED RF	465827881	619105
2	ADAPTOR PLATE	446010001	CONSULTAR
3	FEEDER MECHANISM (VER ITEMS 204)	-----	CONSULTAR
4	SCREW REM FORM TORX4×12	194153292	CONSULTAR
5	SCREW REM FORM TORX5×16	194153330	CONSULTAR
6	SCREW MRTM6×16	-----	CONSULTAR
7	WARNING DECAL PINCHING	-----	CONSULTAR
8	ESAB LOGO SILVER	445916001	CONSULTAR
9	FRONT PLATE(VER ITEMS 204)	-----	CONSULTAR
10	BACKP LATE(VER ITEMS 204)	-----	CONSULTAR
11	ESAB ARM LEFT RF (VER ITEMS 204)	445818002	619109
12	ESAB ARM RIGHT RF(VER ITEMS 204)	445818001	619110
13	SWING ARMS HAFT(VER ITEMS 202AND 204)	-----	CONSULTAR
14	LIFT SPRING(VER ITEMS 202AND 204)	445839001	CONSULTAR
15	ESAB MOTOR PINION RF(VER ITEMS 203AND 204)	445820001	619107
16	GEAR HUB(VER ITEMS 203)	-----	CONSULTAR
17	BEZEL(VER ITEMS 203)	-----	CONSULTAR
18	DRIVER(VER ITEMS 203)	-----	CONSULTAR
19	RETAINER(VER ITEMS 203)	-----	CONSULTAR
20	BEARING8×16×5(VER ITEMS 203)	-----	CONSULTAR
21	COVER(VER ITEMS 203)	-----	CONSULTAR
22	SCREWMRTM4×8(VER ITEMS 203)	-----	CONSULTAR
24	ESAB FEED ROLL SHAFT RF	445841001	619114
25	ESAB NOZZLE LEVER RF	446059001	619115
26	ESAB TENSIONER UNIT RF	445831880	619116
27	BEARING,17×35×8 MM(VER ITEMS 201)	-----	CONSULTAR
28	LOCKRINGØ17(VER ITEMS 201)	-----	CONSULTAR
29	CIRCLIPØ6/4(VER ITEMS 202)	-----	CONSULTAR
30	SCREWMRTM5×16	-----	CONSULTAR
31	HEXAGONTHINNUT	349312091	CONSULTAR
32	SPRINGPIN,Ø3×16,ISO 8752, DIN 1481(VER ITEMS)204)	-----	CONSULTAR
201	ESAB BEARING LOCK RING KIT RF(INCLUYE ITEMS 27 Y 28)	464667883	619129
202	ESAB SWING ARM SHAFT KIT RF(INCLUYE ITEMS 13,14Y 29)	464667887	619111
203	ESAB GEAR HUB KIT RF (INCLUYE ITEMS DEL 15 AL 22)	464667893	619108
204	ESAB FEEDER MECHANISM KITRF(INCLUYE ITEMS 3, 9 AL 15 Y 32)	464667886	619106



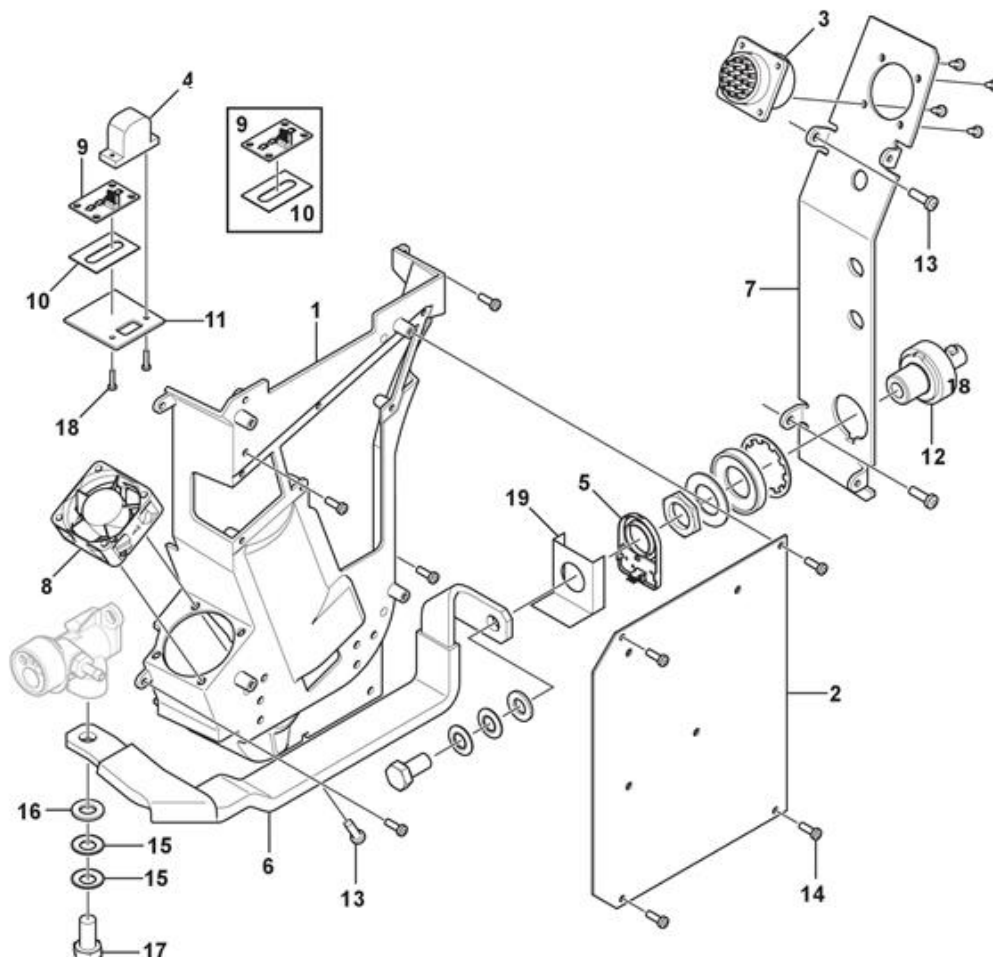
ITEM	DESCRIPCION	NUMERO PARTE	CODIGO
1	EXTERNAL USER INTERFACE FRAME(VER ITEM 304.)	-----	CONSULTAR
2	RIBBONC ABLE WITH CONNECTORS	193700709	619117
3	SCREW MRTM4x8	-----	CONSULTAR
4	ESAB ENCODER COMPLETE RF	193912005	619118
5	ESAB CIRCUIT BOARD FEED PR	440227881	618285
6	KEYPAD EXTERNAL ,PRO (VER ITEM 304.)	-----	CONSULTAR
7	ES-PERILLA D36-1/4 RBFEEED	321475893	614184
8	EURO CONNECTOR(VER ITEM 301.)	-----	CONSULTAR
9	TWECO4CONNECTOR(VER ITEM302.)	-----	CONSULTAR
10	TWECO5CONNECTOR(VER ITEM303.)	-----	CONSULTAR
11	TORCHCONNECTORINSULATOR(VER ITEM301,302 Y 303.)	-----	CONSULTAR
12	SCREWINSULATOR(VER ITEM301,302 Y 303.)	-----	CONSULTAR
13	SCREWMRTM5x16	-----	CONSULTAR
14	ESAB BRASS FITTING RF (INCLUYE O-RING)	445856001	619120
15	TORCHCONNECTORSEAT(VER ITEM 301,302AND303.)	-----	CONSULTAR
16	INTERFACEPLATEFRONT	446003001	CONSULTAR
17	SCREWMRTM5x10	-----	CONSULTAR
18	SCREWREMTORX4x12	194153292	CONSULTAR
19	FRONTOVERLAYEURO	445882001	CONSULTAR
20	FRONTOVERLAYTWECO	445882003	CONSULTAR
21	ESAB INSULATING SLEEVE(PARA CONECTOR EURO,VER ITEM 301.)	368750001	614771
22	TRIGGERCABLEHARNESS(PARA CONECTOR EURO,VER ITEM 301.)	446020880	CONSULTAR
23	TRIGGERCABLEHARNESS(PARA TWECO 4 Y 5 CONECTORES)	446020881	CONSULTAR
24	INTERNALSETTINGPANELPLATE	-----	CONSULTAR
25	INTERNAL USER INTERFACE CABLE HARNESS	446016880	CONSULTAR
26	ESAB KNOB ARISTOFEEED	321475881	614166
27	ESAB SEALING KNITTER	194423901	617452
28	CABLEBINDER	-----	CONSULTAR
29	INTERFACEPLATEREAR	-----	CONSULTAR
30	REARPLATEOVERLAY	-----	CONSULTAR
32	NUTM4(VER ITEM304.)	-----	CONSULTAR
33	DECAEXTERNALUSER INTERFACE PRO(VER ITEM304.)	-----	CONSULTAR
301	EURO TORCH CONNECTOR KIT(INCLUYE ITEM 8,11,12,15,21 Y 22)	464667884	619119
302	TWECO4TORCHCONNECTORKIT(INCLUYE ITEMS 9,11,12 Y 15)	464667899	620009
303	TWECO5TORCHCONNECTORKIT(INCLUDINGITEMS10,11,12AND15)	464667900	CONSULTAR
304	FRAME EXTERNAL USER INTERFACE KIT(INCLUDINGITEMS1,6,32AND33)	464667901	618284



ITEM	DESCRIPCION	NUMERO PARTE	CODIGO
1	BRAKE HUB AXLE(VER ITEM401.)	-----	CONSULTAR
2	BRAKE HUB SLEEVE	445794001	619121
3	BRAKE HUB FRICTION PAD(VER ITEM401. TAPE INCLUDED)	445613001	CONSULTAR
4	BRAKE HUB SPRING SEAT(VER ITEM402.)	-----	CONSULTAR
5	ESAB BRAKE HUB NUT RF	445779001	619122
6	BRAKE HUB SPRING(VER ITEM402.)	-----	CONSULTAR
7	WASHERRB24×8.4×2(VER ITEM402.)	-----	CONSULTAR
8	RF300BOBBINCONSOLE	446006001	CONSULTAR
9	SCREWMC6SM8×60(VER ITEM402.)	-----	CONSULTAR
10	SCREWM6SM6×70(VER ITEM401.)	-----	CONSULTAR
11	NUTLOC-KING6BH6(VER ITEM401.)	-----	CONSULTAR
12	WASHERBRBD12/6.4×1.5	-----	CONSULTAR
13	SCREWREMFORTORX5×16	194153330	CONSULTAR
401	ESAB BRAKE HUB AXLE RF AVS(INCLUYE ITEMS 1,3,10 Y 11)	464667881	619645
402	BRAKE HUB SPRING SEAT KIT(INCLUYE ITEMS 4,6,7 Y 9)	464667882	619123
403	ESAB KIT DE CONEXIÓN DE LOS CABLE ROBUST	446050880	617062



ITEM	DESCRIPCION	NUMERO PARTE	CODIGO
1	MULTI CONSOL	445776001	CONSULTAR
2	ESAB CONTROL CIRCUIT BOARD	440232880	618310
3	SIGNAL CABLE HARNESS	446019880	619124
4	USB COMPLETE(VER ITEM502.)	-----	CONSULTAR
5	REED SWITCH COMPLETE(VER ITEM503.)	-----	CONSULTAR
6	TORCH COPPER BAR(VER ITEM501.)	-----	CONSULTAR
7	INTERFACE PLATE INTERNAL	446002001	CONSULTAR
8	ESAB FAN RF	446037880	619125
9	LED CIRCUIT BOARD (VER ITEM502.)	-----	CONSULTAR
10	ADHESIVE GASKET(VER ITEM502.)	-----	CONSULTAR
11	LIGHTING WINDOW FRONT(VER ITEM502.)	-----	CONSULTAR
12	ESAB MACHINE CONNECTOR	160609881	611901
13	SCREW REMFORM 5×16()	194153330	CONSULTAR
14	SCREW REMFORM TORX4×12()	194153292	CONSULTAR
15	CUP SPRING(VER ITEM501.)	-----	CONSULTAR
16	WASHER8-20010,5A2K(VER ITEM501.)	-----	CONSULTAR
17	SCREW M6SM10×208.8FZB(VER ITEM501.)	-----	CONSULTAR
18	SCREW MRTM2.5×12(VER ITEM502.)	-----	CONSULTAR
19	REED SWITCH PROTECTION(VER ITEM503.)	-----	CONSULTAR
501	ESAB COOPER BAR KIT RF (INCLUYE ITEMS6,15,16AND17)	464667888	619126
502	LED CIRCUIT BOARDKIT(INCLUYE ITEMS4,9 (2 PCS),10 (2 PCS),11 AND 18 (2 PCS))	464667902	619127
503	ESAB REED SWITCH COMPLET RF(INCLUYE ITEMS 5AND19)	464667894	619128



CODIC

ITEM	DESCRIPCION	NUMERO PARTE	CODIGO
1	WATEROUTLETOVERLAY	445778002	CONSULTAR
2	QUICKCONNECTORRED	445745001	CONSULTAR
3	BRASSFITTINGINDN-1006	445746001	CONSULTAR
4	QUICKCONNECTORBLUE	445745002	CONSULTAR
5	ESAB QUICK-COUPLING RED 6,3	365803016	611900
6	ESAB QUICK-COUPLING BLUE 6,3	365803017	611899
7	HOSEBLUE	456496002	CONSULTAR
8	HOSERED	456496001	CONSULTAR
9	GASADAPTORPLATE	-----	CONSULTAR
10	ESAB SELENOID VALVE	193054009	617155
11	HOSECLAMP (CANT. DEPENDIENTE DE LA INCLUSIÓN DE ROTÁMETRO)	-----	CONSULTAR
12	GASHOSE(EN UNIDADES CON ROTÁMETRO, 0,635 M DE SE NECESITA MANGUERA. EN UNIDADES SIN ROTÁMETRO, 0,46 M DE MANGUERA ES NECESARIO.)	445795001	CONSULTAR
13	GASFLOWMETER	445013881	CONSULTAR
14	INTERNAL USER INTERFACE PRO(CON ROTÁMETRO)	445846002	CONSULTAR
15	INTERNAL USER INTERFACE PRO(SIN ROTRAMETRO)	445846001	CONSULTAR
16	NIPPLE	-----	CONSULTAR
17	COUPLERNUTLPH35	-----	CONSULTAR
18	SCREWMRTM4X12(SOLO EN UNIDAD DE ALIMENTACIÓN DE ALAMBRE CON ROTÁMETRO)	-----	CONSULTAR
19	SCREWMRTM4x8	-----	CONSULTAR
20	SCREWREMTORX 4x12	194153292	CONSULTAR
21	HEATERPLATE (VER ITEM601.)	-----	CONSULTAR
22	HEATER(VER ITEM601.)	-----	CONSULTAR
23	SCREWREMTORX3x8(VER ITEM601.)	-----	CONSULTAR
24	HEATKITCABLEHARNES(VER ITEM601.)	-----	CONSULTAR
25	KNOB(VER ITEM601.)	446091001	CONSULTAR
601	HEATER ANDREAR INTERFACEMODULE(INCLUYENDO LOS ELEMENTOS 21 AL 25 Y TAMBIÉN LA INTERFAZ POSTERIOR MÓDULO, PARA ROBUST FEED PRO OFFSHORE)	464667897	CONSULTAR

